

# PROJECT INFORMATION

**APPLICANT:**  
RICHARD FALLQUIST

**DRAWINGS BY:**  
ECCO DESIGN INC.  
203 N 36TH ST SUITE 201  
SEATTLE, WA 98103  
206-706-3937

**SITE ADDRESS:**  
5067 84TH AVE SE  
MERCER ISLAND, WA 98040

**PARCEL NUMBER:**  
4076000080

**BODY OF WATER:**  
LAKE WASHINGTON

**LEGAL DESCRIPTION:**  
LAKE SHORES  
PLAT BLOCK:  
PLAT LOT: 8

**PROJECT DESCRIPTION:**  
RECONFIGURE THE EXISTING PIER BY  
EXTENDING THE EXISTING PIER AND ADDING A  
"T" TO THE END. WIDEN THE WALKWAY NEAR  
SHORE TO GRANT ADA ACCESS. PLANT NATIVE  
VEGETATION PER THE PLANTING PLAN.

# VICINITY MAP



**REFERENCE:**

**DATUM:** C.O.E. Locks Datum

**ADJACENT PROPERTY OWNERS:**

- 1. Gordon & Patricia Cohen
- 2. Donald Gorski

**APPLICANT:** Richard Fallquist

**LOCATION:** Mercer Island, WA 98040

**LAT/LONG:** 47.5570°/-122.2315°

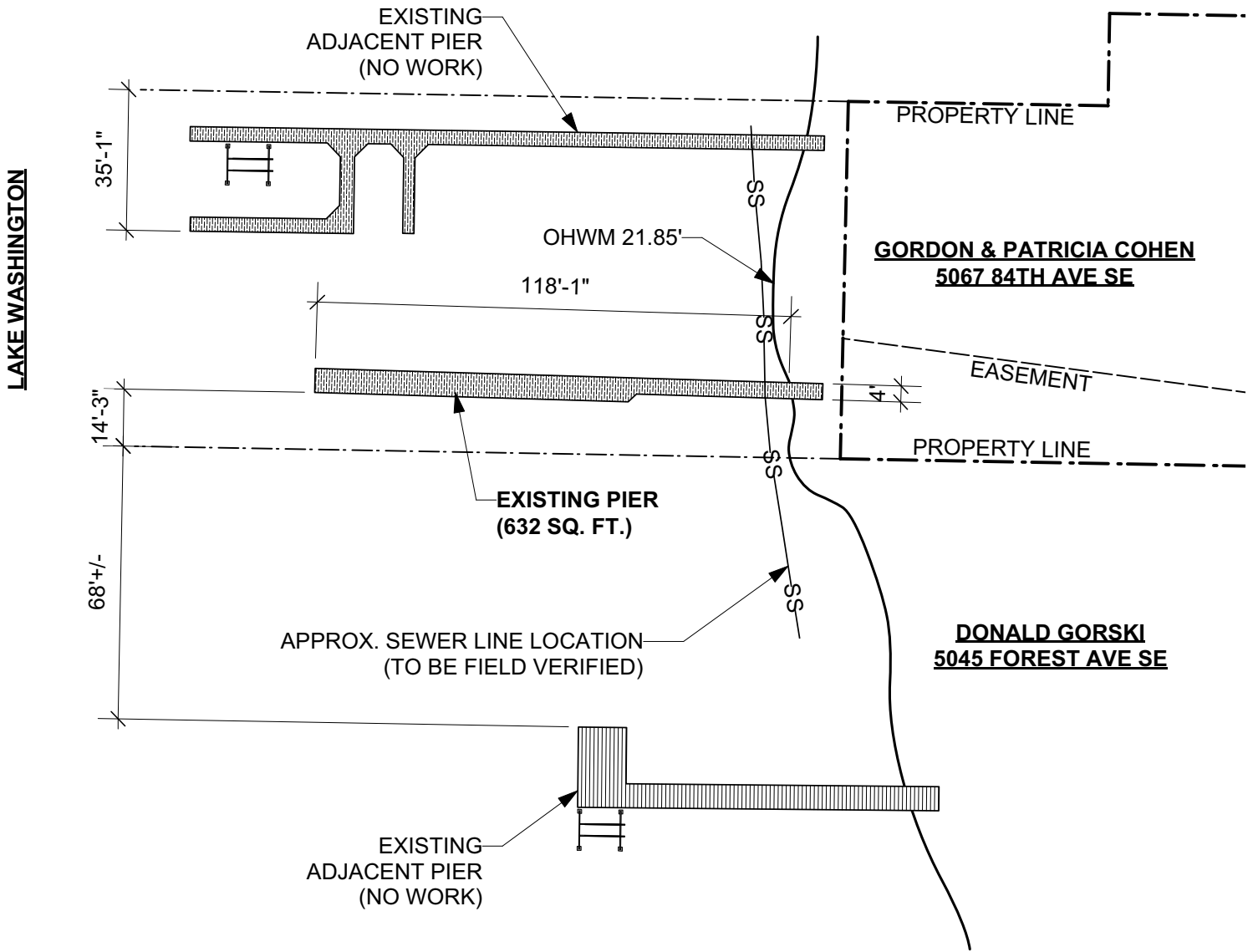
**PROPOSED PROJECT:**

Pier Extension  
**IN:** Lake Washington  
**NEAR/AT:** Mercer Island  
**COUNTY:** King     **STATE:** WA

**SHEET** 1 of 7

**DATE:** July 22, 2020

PLEASE NOTE THAT THE SHORELINE CONFIGURATION AND PROPERTY LINE LOCATIONS ARE APPROXIMATE ONLY. THE PROPERTY LINES ARE BASED ON SURVEY DATED 4/9/2020 BY TRUE NORTH LAND SURVEYING, INC.



**SITE PLAN**  
**(EXISTING)**

SCALE 1" = 40'-0"

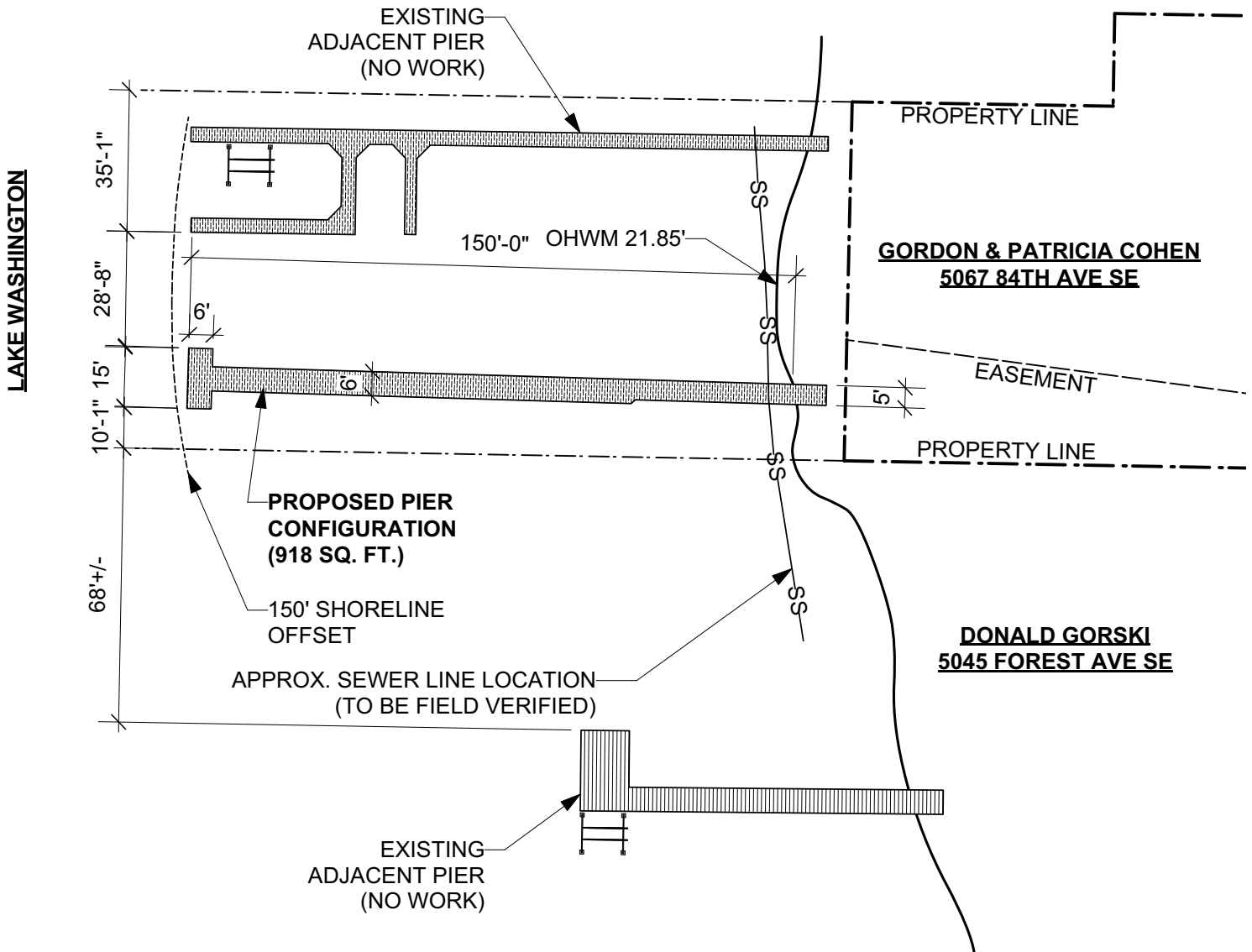


**Reference:**  
**Applicant:** Richard Fallquist  
**Proposed:** Pier Extension

**Location:** Mercer Island, WA

**Sheet 2 of 7**    **Date:** 7/22/2020

PLEASE NOTE THAT THE SHORELINE CONFIGURATION AND PROPERTY LINE LOCATIONS ARE APPROXIMATE ONLY. THE PROPERTY LINES ARE BASED ON SURVEY DATED 4/9/2020 BY TRUE NORTH LAND SURVEYING, INC.



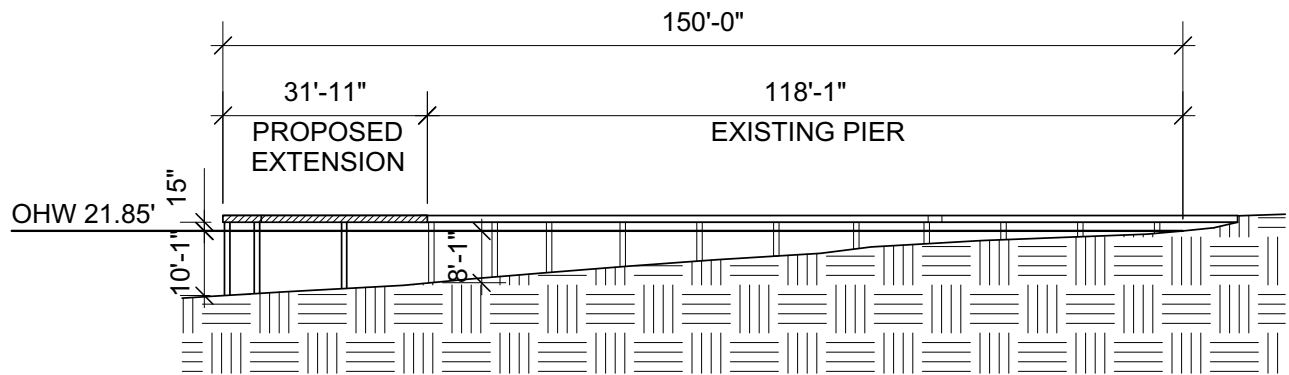
**SITE PLAN**  
**(PROPOSED)**  
 SCALE 1" = 40'-0"



**Reference:**  
**Applicant:** Richard Fallquist  
**Proposed:** Pier Extension

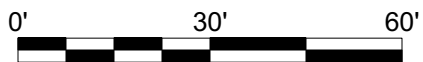
**Location:** Mercer Island, WA

**Sheet 3 of 7**    **Date:** 7/22/2020



# **PIER ELEVATION**

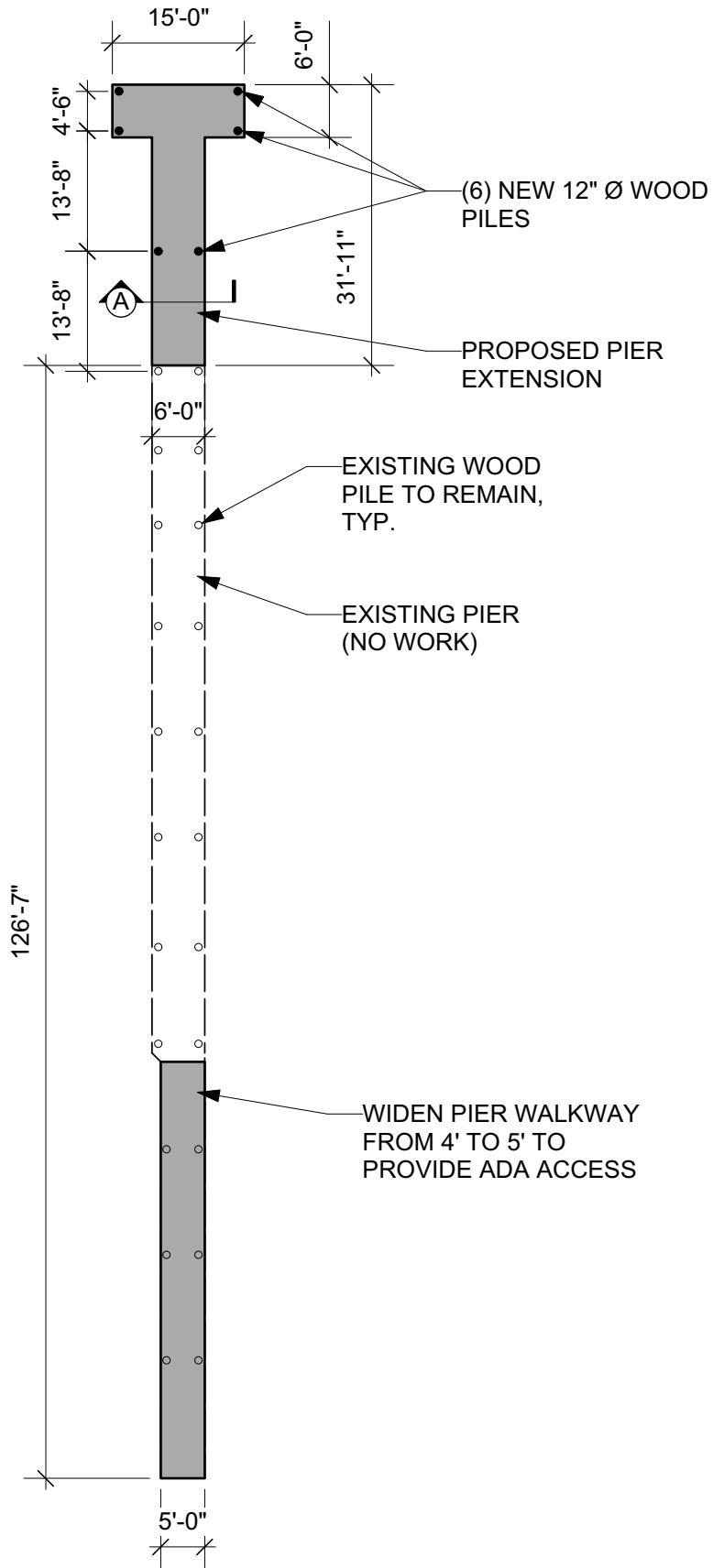
SCALE 1" = 30'-0"



**Reference:**  
**Applicant:** Richard Fallquist  
**Proposed:** Pier Extension

**Location:** Mercer Island, WA

**Sheet 4 of 7    Date:** 7/22/2020



# PILE LAYOUT

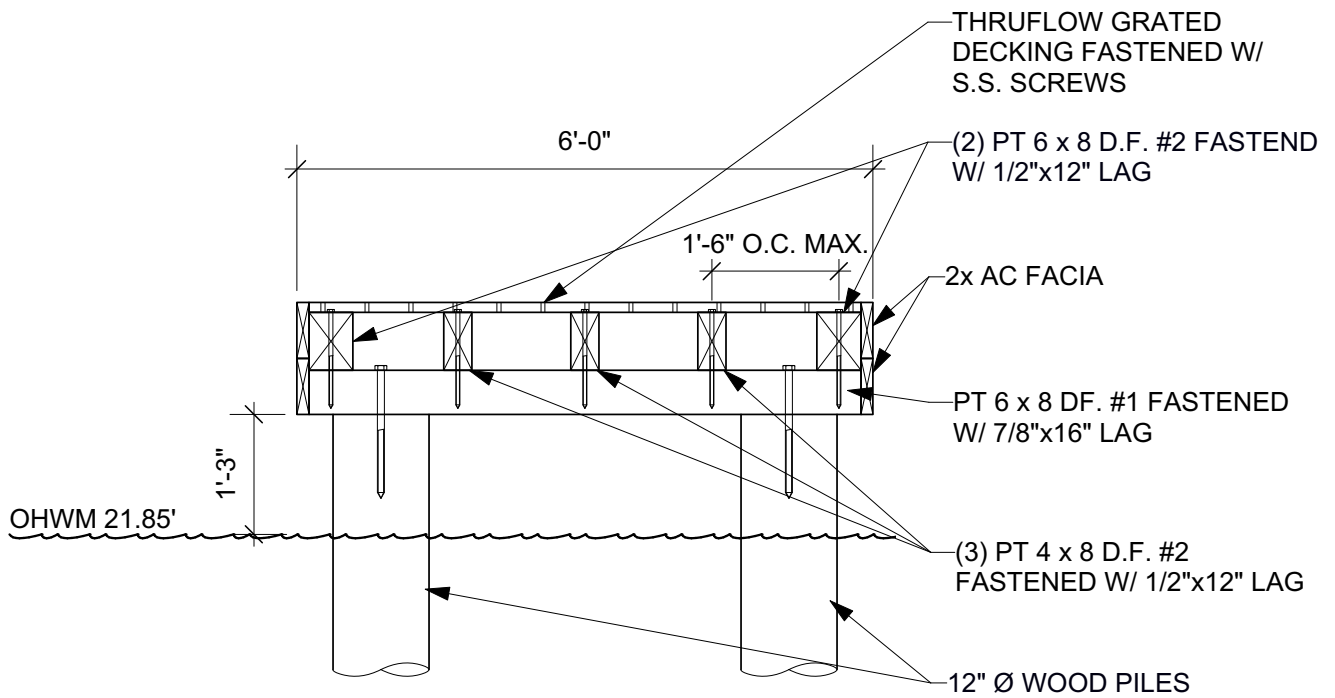
SCALE 1" = 20'-0"



**Reference:**  
**Applicant:** Richard Fallquist  
**Proposed:** Pier Extension

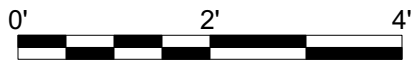
**Location:** Mercer Island, WA

**Sheet 5 of 7**    **Date:** 7/22/2020



# **SECTION DETAIL A**

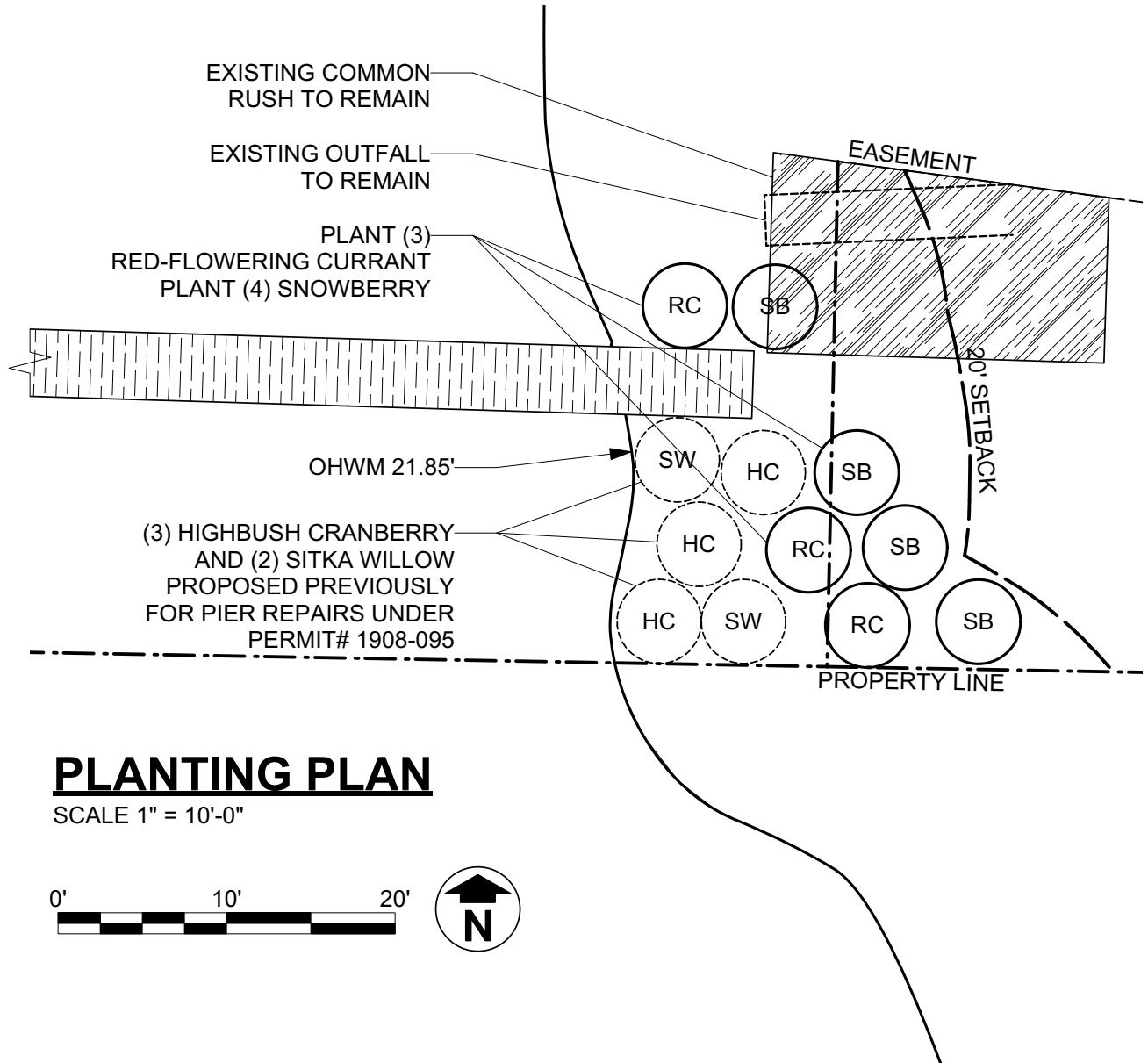
SCALE 1/2" = 1'-0"



**Reference:**  
**Applicant:** Richard Fallquist  
**Proposed:** Pier Extension

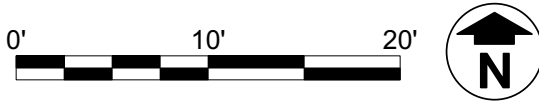
**Location:** Mercer Island, WA

**Sheet 6 of 7**    **Date:** 7/22/2020



# PLANTING PLAN

SCALE 1" = 10'-0"



**Reference:**  
**Applicant:** Richard Fallquist  
**Proposed:** Pier Extension

**Location:** Mercer Island, WA

**Sheet 7 of 7**    **Date:** 7/22/2020